



ShowerGlyde By **sb**

sb
SolutionBased



PRODUCT CATALOG

The ShowerGlyde range is designed for individuals experiencing difficulty getting into and out of a tub or shower. Three models are available depending on the layout of your bathroom. Multiple seat options, a Seat Belt, and a Grab Bar are included with every model.

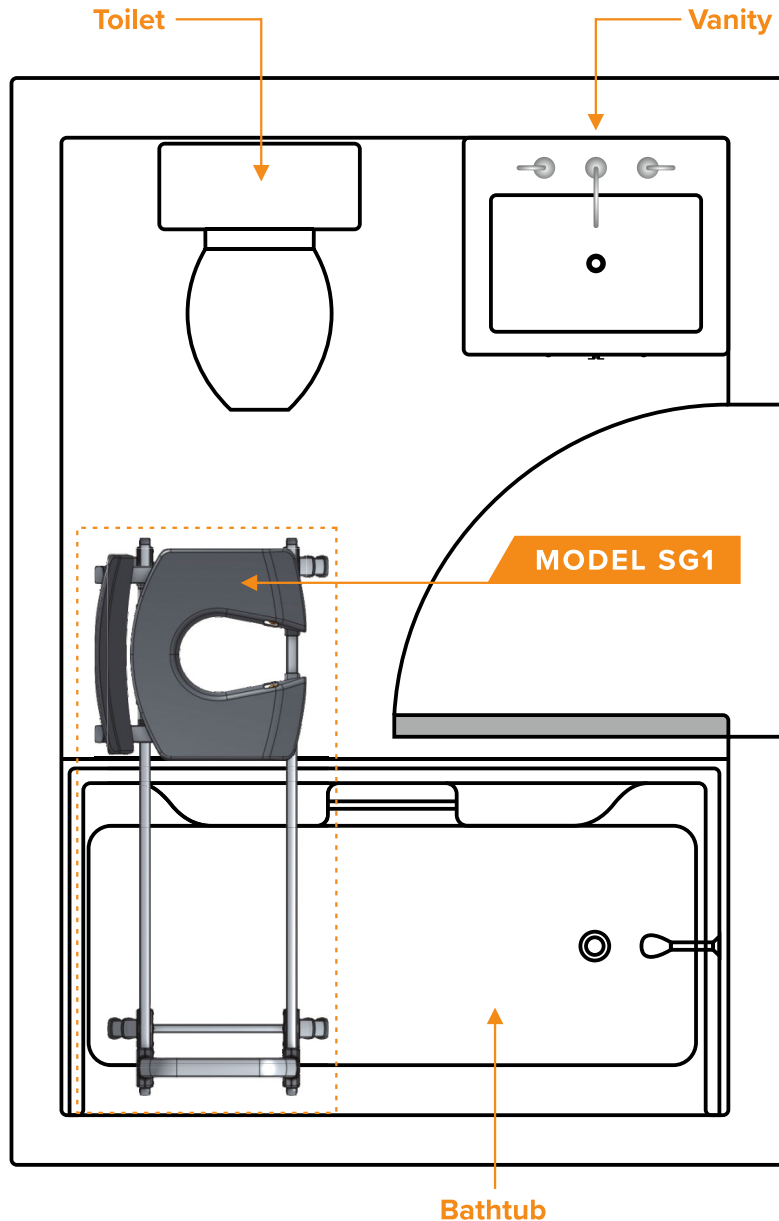


ShowerGlyde

MODEL SG1



MODEL SG1



ShowerGlyde Model SG1 is a revolutionary sliding transfer bench. It is designed to fit in environments where there are no obstructions adjacent to the tub (i.e. vanity, toilet). SG1 slides easily over the tub and locks in two points; on the inside and outside of the tub. This allows for safe transfers while using the bench. SG1 can be assembled as a left or right-hand unit. One grab bar installed at the wall side of the rails is included as an aid for sliding. The user can pull or push themselves easily along the rails. SG1 is height adjustable permitting clearance of up to a 19.5" tub height. Optional extension legs are available for taller tubs (up to 25" high). Model SG1 also includes a Seat Belt, a Grab Bar, and a Commode Seat with 3 options; an open Commode Seat for easy washing, a Reducer Ring to reduce the size of the commode opening, and a Solid Seat Insert to close the commode opening completely.

Includes:

- Grab Bar
- Seat Belt
- 19.5" Tub Clearance
- Commode Seat
- Reducer Ring Insert
- Solid Seat Insert

* See back page for details



showerglyde.com

ShowerGlyde

MODEL SG2



MODEL SG2

ShowerGlyde Model SG2 is a sliding transfer bench designed to fit in environments with a toilet adjacent to the tub. Similar to SG1, SG2 slides effortlessly over the tub and locks in two points; on the inside of the tub and over the toilet. A longer set of rails accommodates the use of the commode over the abutting toilet. SG2 can be assembled as a left or right-hand unit. One grab bar installed at the wall side of the rails is included for support in sliding. SG2 is height adjustable allowing clearance of up to a 19.5" tub height. Optional extension legs are available for taller tubs (up to 25" high). Model SG2 also includes a Seat Belt, Grab Bar, and a Commode Seat with 3 options; an open Commode Seat for over-toilet use, a Reducer Ring Insert to reduce the size of the commode opening, and a Solid Seat Insert to close the commode opening completely.

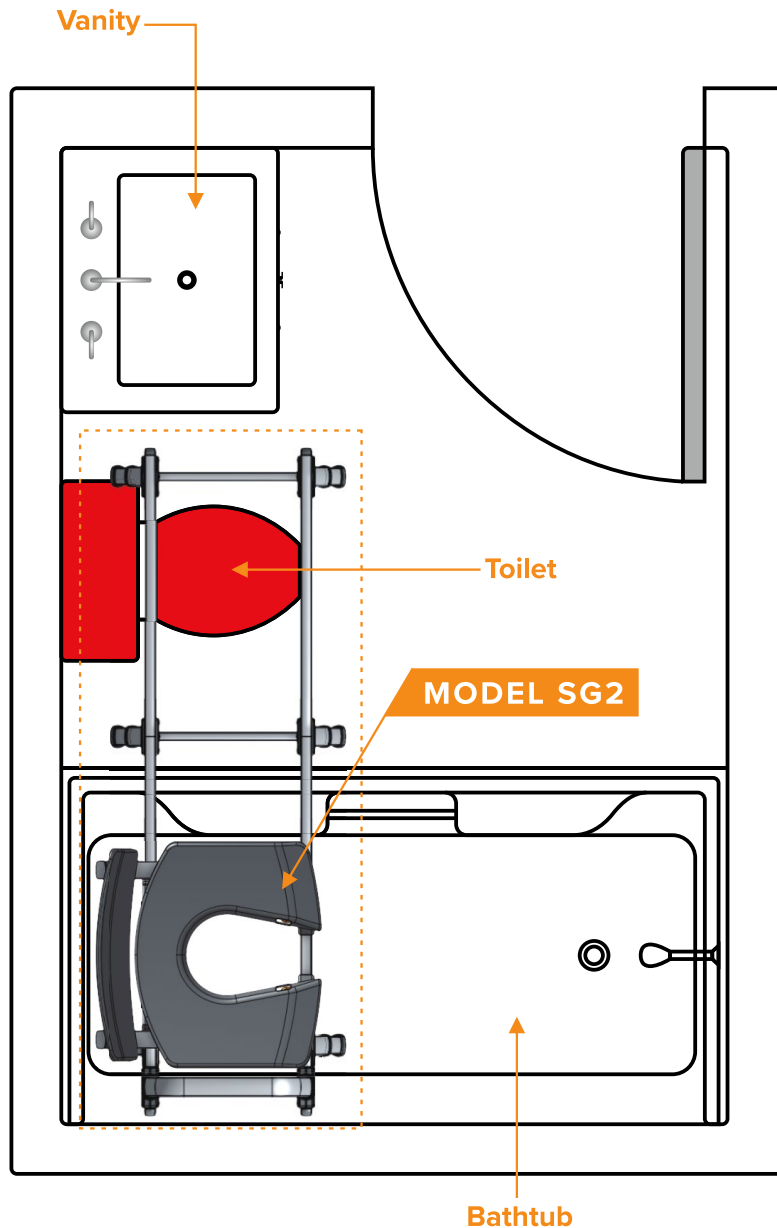
Includes:

- Grab Bar
- Seat Belt
- 19.5" Tub Clearance
- Commode Seat
- Reducer Ring Insert
- Solid Seat Insert
- Slides Over Toilet

* See back page for details



showerglyde.com

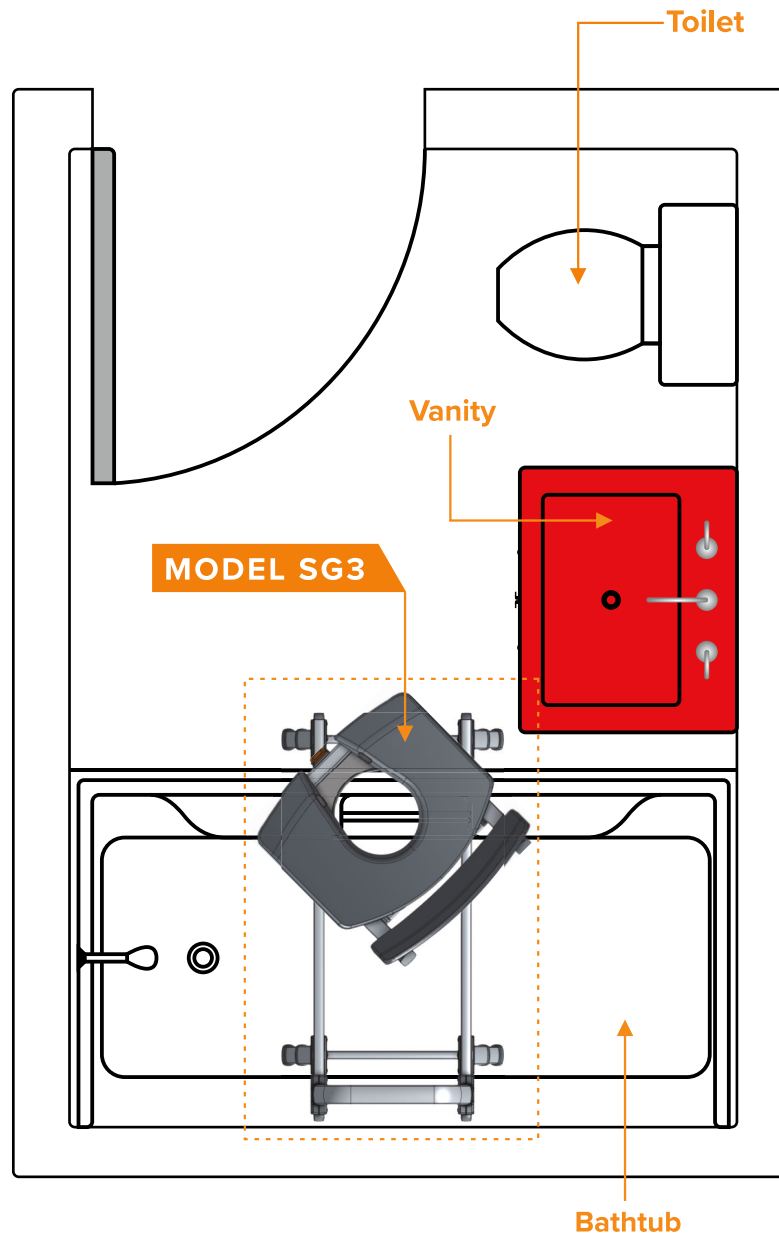


ShowerGlyde

MODEL SG3



MODEL SG3



ShowerGlyde Model SG3 is a sliding transfer bench designed to fit in tighter environments or bathrooms with a vanity adjacent to the tub. Shorter rails and a swivel option allow the bench to clear the obstruction/tight space without sacrificing comfort or ease of use. SG3 slides easily in and out of the tub and locks in two points; on the inside and outside of the tub. SG3 can be assembled as a left or right-hand unit. One grab bar installed at the wall side of the rails is included for support in sliding. SG3 is height adjustable allowing clearance of up to a 19.5" tub height. Optional extension legs are available for taller tubs (up to 25" high). Model SG3 also includes a Seat Belt, Grab Bar, and a Commode Seat with 3 options; an open Commode Seat for easy washing, a Splatter Guard, and a Solid Seat Insert to close the commode opening completely.

Includes:

- Grab Bar
- Seat Belt
- 19.5" Tub Clearance
- Commode Seat
- Splatter Guard Insert
- Solid Seat Insert
- Swivel Seat

* See back page for details



showerglyde.com

COMPARISON CHART AND ACCESSORIES



Comparison Chart

| | SG1 | SG2 | SG3 |
|----------------------------|-----|-----|-----|
| Slides over toilet | | ✓ | |
| 19.5" Tub Height Clearance | ✓ | ✓ | ✓ |
| Swivel Seat | | | ✓ |
| Commode Seat | ✓ | ✓ | ✓ |
| Reducer Ring Insert | ✓ | ✓ | |
| Solid Seat Insert | ✓ | ✓ | ✓ |
| Splatter Guard Insert | | | ✓ |
| Seat Belt | ✓ | ✓ | ✓ |
| Grab Bar | ✓ | ✓ | ✓ |

Optional Accessories

| | SG1 | SG2 | SG3 |
|-------------------------------|-----|-----|-----|
| Additional Grab Bar | ✓ | ✓ | |
| 25" Tub Height Extension Legs | ✓ | ✓ | ✓ |
| Optional Swivel Seat | ✓ | ✓ | |

* Additional Grab Bar and Optional Swivel Seat will not work together



800-337-6660
www.showerglyde.com
www.sb.care
info@sb.care